

CA378-AOIS_USB3-IFB Camera Module I/F Board Specification

Product name : CA378-AOIS_USB3-IFB

Model name : CA378-AOIS_USB3-IFB-001

Editing History

<i>Editing No.</i>	<i>Editing Date</i>	<i>Summary of Change</i>
<i>Ver.1.0.0</i>	<i>2019/7/10</i>	<i>Create New</i>

CenturyArks Co., Ltd.

<i>Approval</i>	<i>Responsible person</i>
e-value: 0000014593	H.K.

Contents

.....	0
General description and application	2
Functions and Features	2
USE RESTRICTION NOTICE	3
Use Restrictions	3
Design for Safety	3
Export Control.....	3
No License Implied.....	3
Governing Law	4
Other Applicable Terms and Conditions	4
1 Summary of Specifications	5
1.1. Table 1 List of Specifications	5
1.2. Table 2 List of Frame Rate(max*).....	5
1.3. Table 3 List of USB pin description.....	5
1.4. Table 4 List of LED Function	6
1.5. Reset SW Function.....	6
1.6. Notes on writing to firmware.....	6
2 Operating Temperature.....	6
3 Operating Condition.....	6
4 Block Diagram	7
5 Power Structure	7
6 Dimension.....	8
7 Notes on Handling and Assembly.....	8
7.1. Notes on Handling	8
8 Packing specification	9

Preliminary

General description and application

The CA378-AOIS_USB3-IFB consists of a 12MP OIS with camera module CA378-AOIS, and an interface board that converts the camera image (MIPI RAW10 4LANe) to the RGB888 format and outputs USB3.

This document describes the product specifications for the interface board.

Refer to the CA378-AOIS Camera Module Specification for product specifications of the camera module.

Please refer to the CA_ViewER application note for the image viewer application on PC.

For the latest information, please refer to CenturyArks website.

Functions and Features

- ◆ CA378-AOIS camera module connection
- ◆ I/O interface: USB 3.0 (Type-B μUSB)
- ◆ Input power: 5V (From USB connector)
- ◆ Internally generated power supply: 1.05V, 1.8V, 2.8V (2systems), 3.3V, 1.2V (CX3)
- ◆ Reading signal: MIPI 4Lane 10bit
- ◆ Maximum frame rate: 10 fps (12 MP)
- ◆ I / F Board Size: 18 mm x 50 mm x 4 mm (w/o camera)
- ◆ Driver: Built-in SPI Flash
- ◆ Boot function: SPI Flash
- ◆ Reset button (CX3 Reset)
- ◆ Consumption current (ave.): About 278mA w/ camera
- ◆ Hardware PC (OS): Windows 10 32bit / 64bit
Camera: CA378-AOIS
- ◆ Other specifications conform to CA378-AOIS and CYPRESS CX3 specifications

USE RESTRICTION NOTICE

This USE RESTRICTION NOTICE ("Notice") is for customers who are considering or currently using the image sensor products ("Products") set forth in this specifications book. CenturyArks Corporation ("CA") may, at any time, modify this Notice which will be available to you in the latest specifications book for the Products. You should abide by the latest version of this Notice. distributor has its own use restriction notice on the Products, such a use restriction notice will additionally apply between you and the distributor. You should consult a sales representative of the distributor of on such a use restriction notice when you consider using the Products.

Use Restrictions

- The Products are intended for incorporation into such general electronic equipment as office products, communication products, measurement products, and home electronics products in accordance with the terms and conditions set forth in this specifications book and otherwise notified by CA from time to time.
- You should not use the Products for critical applications which may pose a life- or injury-threatening risk or are highly likely to cause significant property damage in the event of failure of the Products. You should consult your sales representative beforehand when you consider using the Products for such critical applications. In addition, you should not use the Products in weapon or military equipment.
- CA disclaims and does not assume any liability and damages arising out of misuse, improper use, modification, use of the Products for the above-mentioned critical applications, weapon and military equipment, or any deviation from the requirements set forth in this specifications book.
- CA is not responsible for any direct or indirect damage such as loss of stored data or damage to equipment caused by failure or use of this product.
- When installing and using this product, be sure to follow the warnings and precautions issued by the PC manufacturer and peripheral device manufacturer.
- This products and the application provided by CA do not guarantee the operation for all Windows10 Computers.
- This products can not be used by connecting two or more.

Design for Safety

- CA is making continuous efforts to further improve the quality and reliability of the Products; however, failure of a certain percentage of the Products is inevitable. Therefore, you should take sufficient care to ensure the safe design of your products such as component redundancy, anti-conflagration features, and features to prevent mis-operation in order to avoid accidents resulting in injury or death, fire or other social damage as a result of such failure.

Export Control

- If the Products are controlled items under the export control laws or regulations of various countries, approval may be required for the export of the Products under the said laws or regulations. You should be responsible for compliance with the said laws or regulations.

No License Implied

- The technical information shown in this specifications book is for your reference purposes only. The availability of this specifications book shall not be construed as giving any indication that CA and its licensors will license any intellectual property rights in such information by any implication or otherwise. CA will not assume responsibility for any problems in connection with your use of such information or for any infringement of third-party rights due to the same. It is therefore your sole legal and financial responsibility to resolve any such problems and infringement.

Governing Law

- This Notice shall be governed by and construed in accordance with the laws of Japan, without reference to principles of conflict of laws or choice of laws. All controversies and disputes arising out of or relating to this Notice shall be submitted to the exclusive jurisdiction of the Tokyo District Court in Japan as the court of first instance.

Other Applicable Terms and Conditions

- The terms and conditions in the CA additional specifications, which will be made available to you when you order the Products, shall also be applicable to your use of the Products as well as to this specifications book. You should review those terms and conditions when you consider purchasing and/or using the Products.

Preliminary

1 Summary of Specifications

1.1. Table 1 List of Specifications

Item	Specification
Name	USB3 I/F Board for CA378-AOIS
Board Size	18mm x 50 mm x 4mm (w/o camera)
Input Data	MIPI 4Lane 10bit
Video Format	RGB24(RAW10)
USB	3.1 Gen 1 / 2.0
Operating Temperature	0 ~ +45°C (recommended)
Resolution(max)	4K3K(4056x3040)
Supported OS*	Windows10 32bit/64bit
UVC Compliant	Compliant with UVC Version 1.1
PID/VID (Hex)	Vendor ID : 31F7 Product ID : 0001

*Confirmed PC1: CPU: Intel Celeron 1.6GHz 1.6GHz Memory: 4GB OS: 64bit Windows 10 Pro

Confirmed PC2: CPU: Intel Core i5 1.7GHz 1.9GHz Memory: 8GB OS: 64bit Windows 10 Pro

This product and the application provided by CA do not guarantee the operation for all Windows10 Computers.

This product can not be used by connecting two or more.

1.2. Table 2 List of Frame Rate(max*)

Resolution	Frame Rate(max*)	
	USB3	USB2
4K3K(4056x3040)	10fps	--
4K2K(3840x2160)	12fps	--
FHD(1920x1080)	48fps	--
HD(1280x720)	TBD	TBD
XGA(1024x768)	TBD	TBD
VGA(640x480)	60fps	30fps

* It is a reference value because it also depends on the PC SPEC etc.

1.3. Table 3 List of USB pin description

Pin No.	Signal	Pin No.	Signal
1	VBUS	6	SSTX-
2	D-	7	SSTX+
3	D+	8	GND
4	NC	9	SSRX-
5	GND	10	SSRX+

1.4. Table 4 List of LED Function

Power ON	Turn off after blinking 3 times
Operating (Streaming)	Lights ON
Transfer Error	Lights OFF

1.5. Reset SW Function

RESET SW is connected to the CX3 RESET # pin.

Pressing RESET SW during operation resets the process.

If you press RESET SW while the CA_ViewER application is running, the CA_ViewER drawing window is closed.

To redraw, close CA_ViewER and restart it.

1.6. Notes on writing to firmware

Firmware should not be written except for the method described in the software setup guide. If you write the firmware in the wrong way, it may not work.

2 Operating Temperature

Table 3 Temperature Specifications

Item	Conditions	Specification	Unit
Operating temperature	Image should be output.	-10~+60°C	°C
Storage temperature		-30~+80°C	°C
Recommended operating temperature		0~+45°C	°C
Operating humidity range		+80%RH or under	%RH

3 Operating Condition

Input Voltage	5V±0.25V (From USB Connector)
---------------	-------------------------------

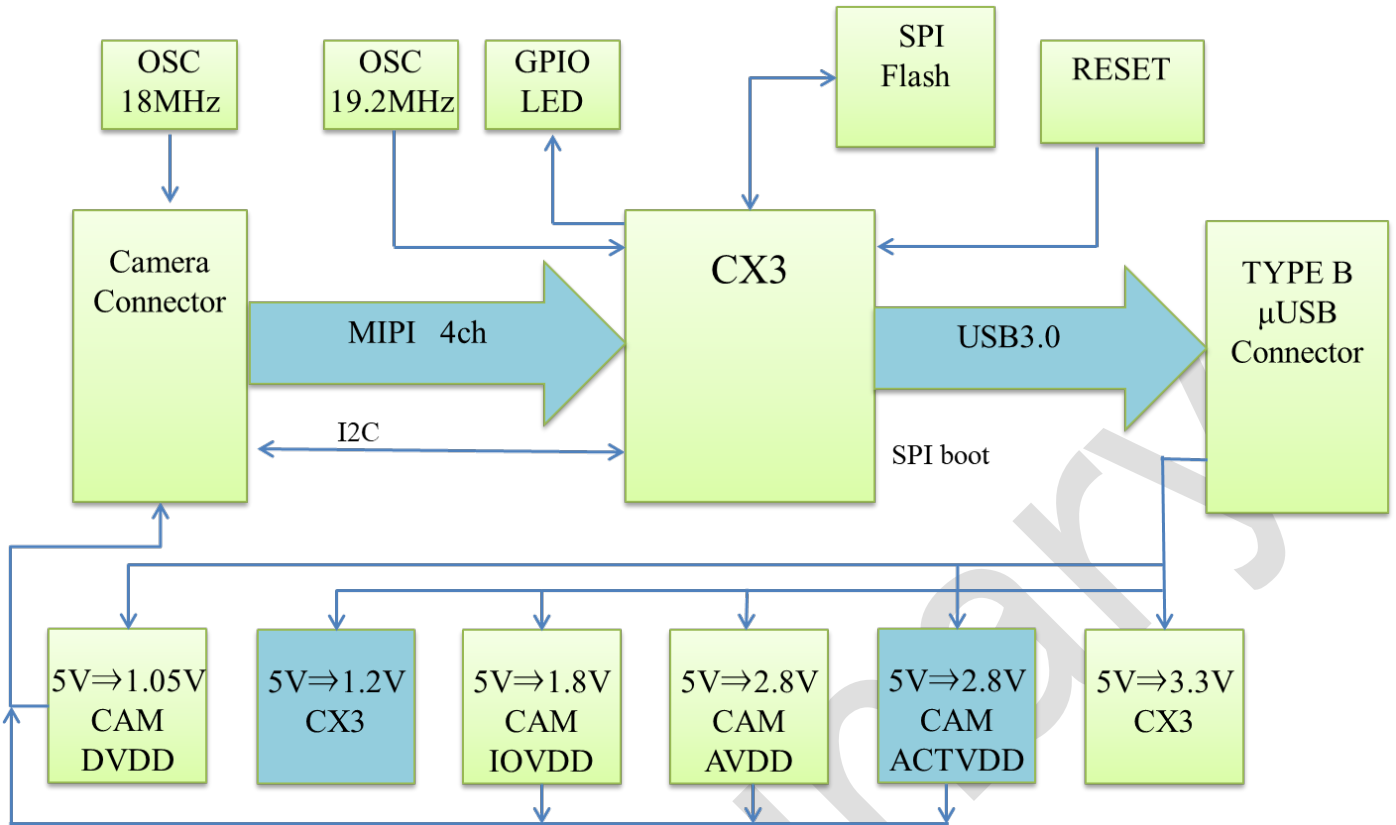
The following table shows the consumption current of CA378-AOIS_USB3-IFB under each condition.

These are the values in our measurement environment and are listed as a reference.

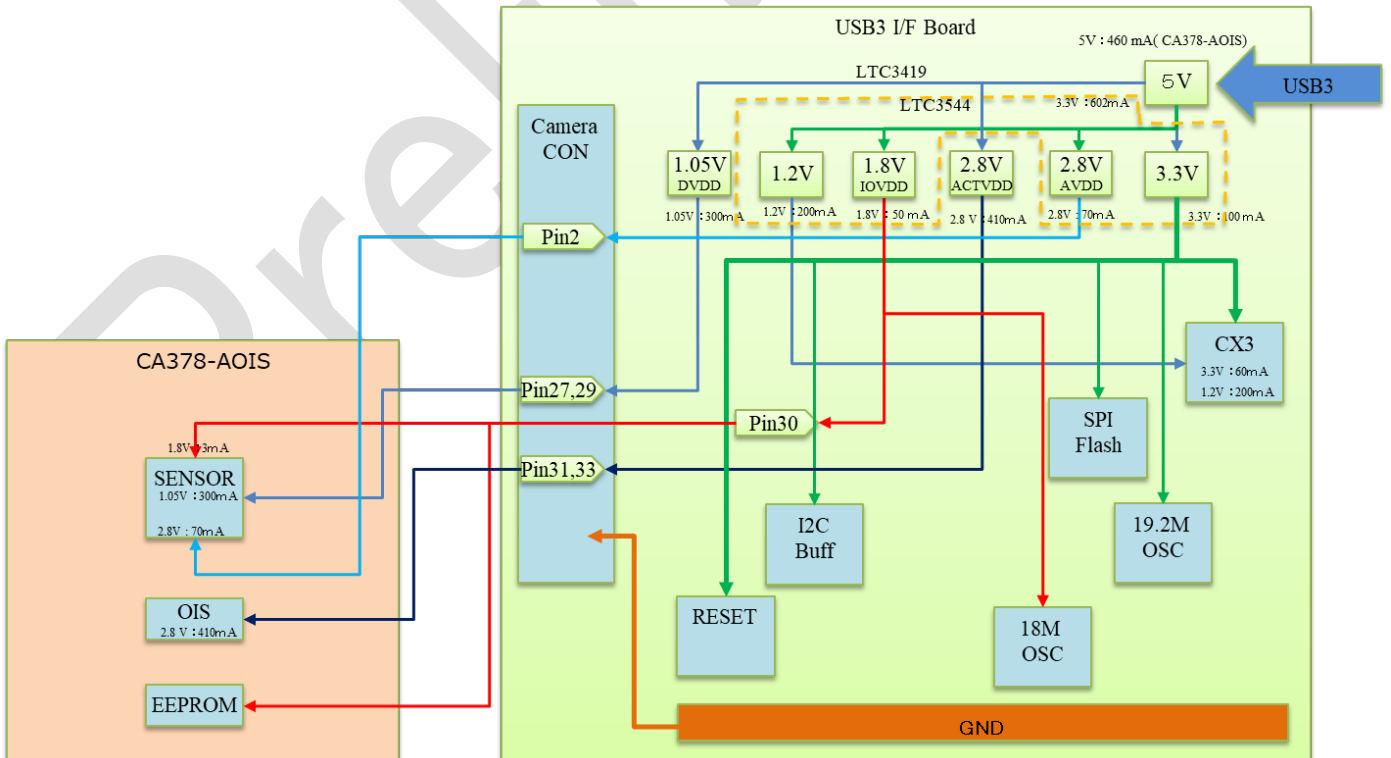
Values may change in your environment.

Resolution	Frame Rate	Current(mA) Ave. w/ camera
—	Idle	31
4K3K(4056x3040)	10fps	278
4K2K(3840x2160)	12fps	273
FHD(1920x1080)	48fps	271

4 Block Diagram

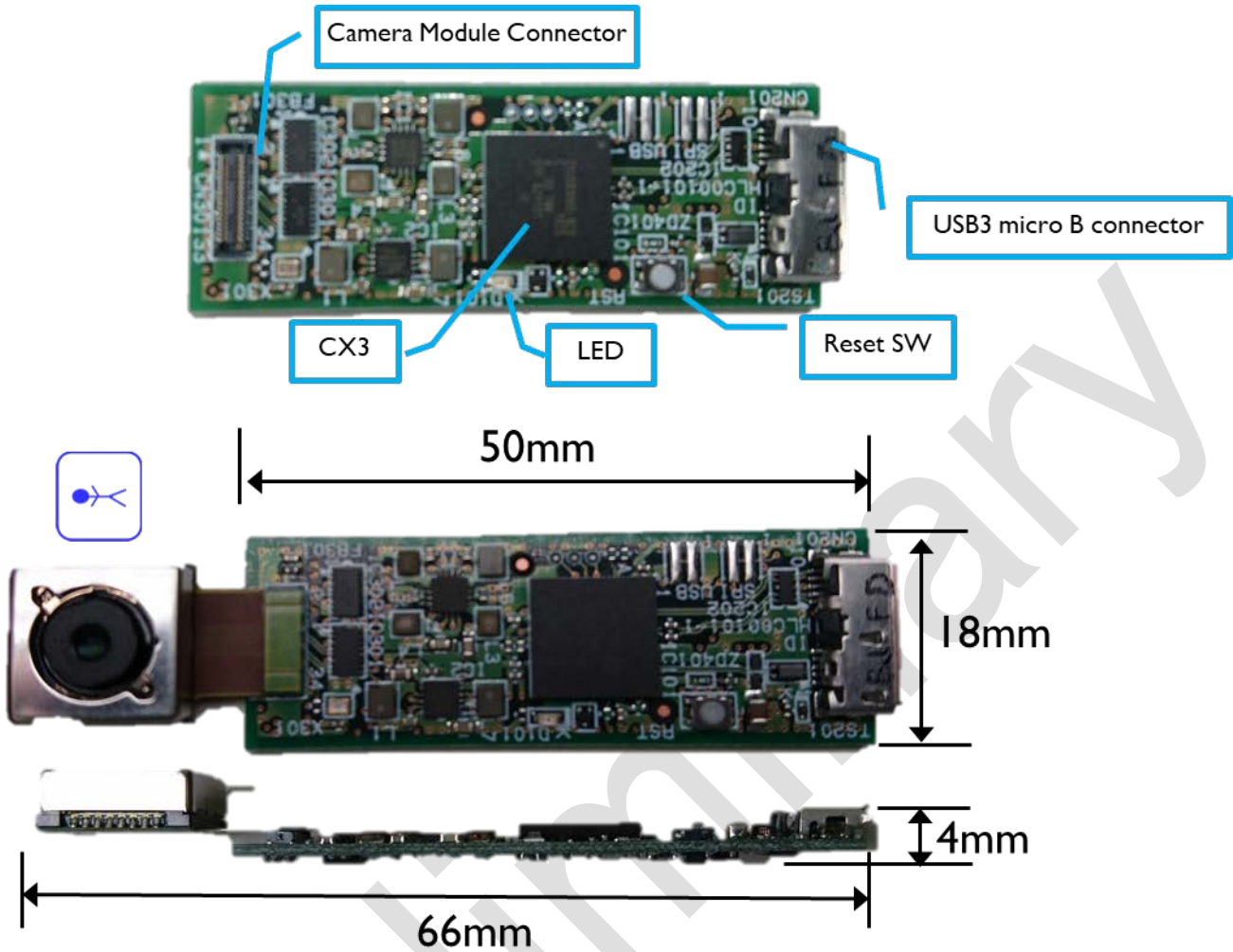


5 Power Structure



6 Dimension

When using this product, secure the camera module's head with double-sided tape etc.



7 Notes on Handling and Assembly

7.1. Notes on Handling

This lens module and interface board was designed to be assembled into electronic products. When using it, ensure safe design by heeding the following precautions.

1. Prevention of Electrostatic Discharge (ESD)

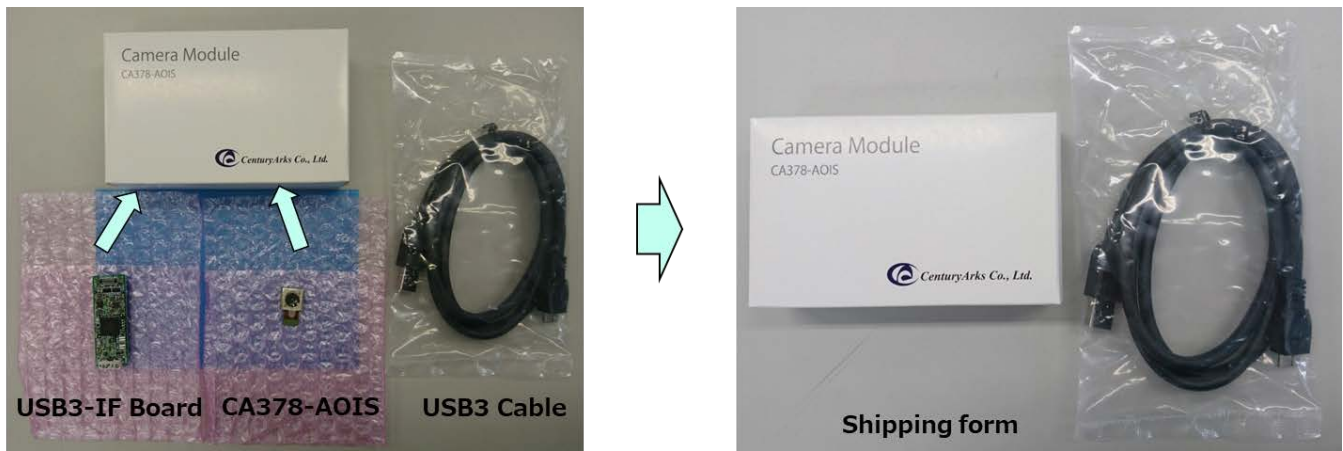
CMOS image sensors and other ICs can easily be damaged by static discharge. When handling these modules, take the following measures to prevent static discharge.

- (1) Either use non-chargeable gloves, clothes or material. Also use conductive shoes.
- (2) Use a wrist strap when handling directly.
- (3) Install grounded conductive mats on the floor and working table to prevent the generation of static electricity.
- (4) Ionized air is recommended for discharge when handling CMOS image sensors.
- (5) For the shipment of mounted boards, use boxes treated for the prevention of static charges.

2. Notes on storage and operating environments

Do not store or use the lens modules in harsh environments with high temperatures, high humidity levels, and high concentrations of dust or in environments where condensation may form from moisture or dampness.

8 Packing specification



For more than 50 sets, we pack the parts together in trays and boxes.

Preliminary